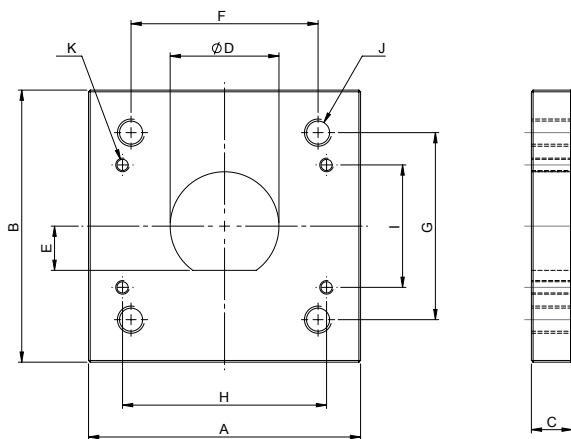


### 3.2.3.3 lean SL® gear rack retaining plate AZ • Dimension sheet

The gear rack retaining plate provides a rigid connection between the mounted parts and the gear rack. To this end, the retaining plate is pressed onto the gear rack in the guide direction. The "J" thread and the end face thread can be used for mounting.

The gear rack retaining plate is only intended to take up torque. It cannot therefore transfer forces in the gear rack guide direction. The retaining plate is mounted flush with the front surface of the gear rack using a shrinkage process.





Be sure to indicate precisely which gear rack will be used with the AZ plate when ordering a gear rack retaining plate.

lean SL® gear rack retaining plate AZ	Unit	SL 5.0	SL 5.1	SL 5.3
A	mm	70	80	130
B	mm	70	80	130
C	mm	10	12	15
D	mm	Ø 25 P7	Ø 32 P7	Ø 60 P7
E	mm	10	13	22
F	mm	50	55	90
G	mm	50	55	90
H	mm	52	60	100
I	mm	30	36	70
J	mm	M6	M8	M10
K	mm	M4	M4	M4
Weight	kg	0,34	0,51	1,64

Article number	SL 5.0	SL 5.1	SL 5.3
lean SL® gear rack retaining plate AZ	500 185	500 186	500 187